
	SINGLE METER CABINET FOR DOMESTIC GAS METERS	K-51
Asset Type: Gas Metering		Function: Design and Construction
Issued by: S. A. Robinson	 Original Signed By	Date: 11-18-11
Rev. #01: This document replaces Revision #00. For a description of the changes, see Page 4.		

Purpose and Scope

This numbered document provides specifications and ordering information for single, residential gas meter cabinets.

Safety Note

The cabinets shown in this numbered document are intended to be built into the wall of a structure. The fabricated non-flammable/non-metallic cabinet and door(s) **must** be sealed at all joints and penetrations from the inside with caulking or other appropriate sealant and **must** be vented to the outside to prevent any gas from leaking into the structure. If constructed from wood, it must be lined with sheet rock or other non-flammable material.

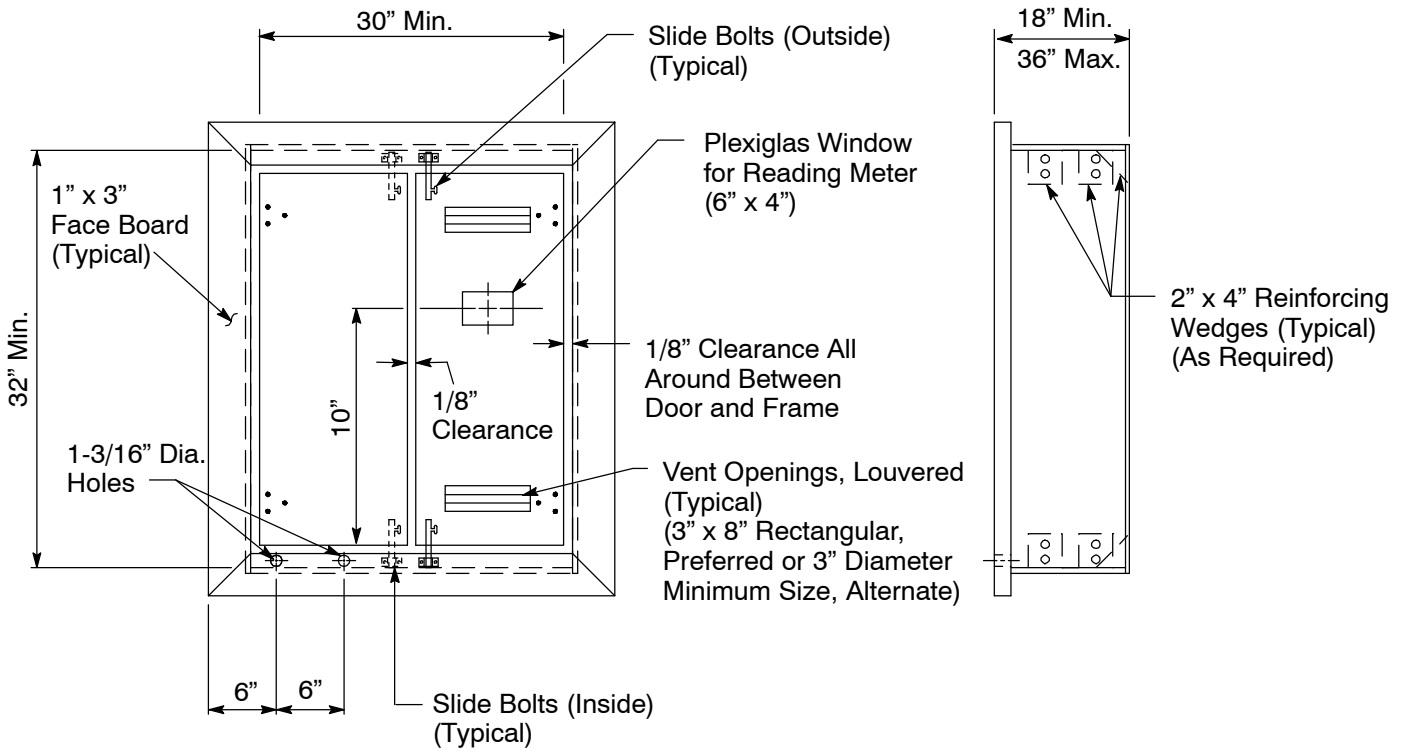
The prefabricated American Gas Products (AGP) ABS plastic cabinet part number J-40 (with solid cover) is an approved alternate for the fabricated cabinet. Order from American Gas Products (AGP) Inc. P.O. Box 4777, Anaheim, CA 92803.

General Information

Fabricated Non-Flammable/Non-Metallic Cabinets (see Figure 1)

1. Cabinets and door(s) shall be made from non-flammable wall board, or other suitable material. If constructed from wood, it must be lined with sheet rock or other non-flammable material. Review local codes to ensure that the cabinet complies with any fire rating requirements.
2. Cabinets and cabinet doors shall not be fabricated from metal in order to minimize the potential for interference with SmartMeter radio frequency (RF) signal transmission.
3. Seal all joints and penetrations from the inside with caulking or other appropriate sealant.
4. The box width and height dimensions are the minimum inside dimensions needed for maintenance and operating activities. These dimensions may be increased to suit local conditions, but should be kept as close as practical to the specified minimums to discourage customers from using the box for storage purposes.
5. The right side door should be louvered or otherwise vented at the top and bottom as shown. It shall be held closed with two slide-bolt latches located on the outside. Other types of latches can be used.
6. Lock the solid door closed using two slide-bolt latches located on the inside. Both doors shall open fully to allow servicing of the meter and regulator.
7. Electrical wiring is permitted in the cabinet only if the wiring is within sealed conduit with no joints, or the wiring meets the requirements of the National Electric Code for Class I, Division 1 areas. The conduit must not interfere with the meter, regulator, or piping.
8. Take care not to paint the cabinet vents or the regulator's internal relief valve (IRV) vent termination fitting openings and thereby obstruct the flow of air or gas.

Single Meter Cabinet for Domestic Gas Meters



**Figure 1
Meter Cabinet**

Prefabricated Plastic Cabinets (see Figure 2)

1. The cabinet is designed to fit between studs on 16" centers.
2. Add a second 2"x4" on each side of the cabinet to support the flange.
3. Meter sizes up to AC630 will fit in the cabinet.
4. Align the gas service riser with the "R" marking on the left side of the cabinet and stub out the connection to the customer's houeline to align with the "HL" marking on the right side of the cabinet. Do not drill into or penetrate the back, sides, top, or bottom of the cabinet.
5. Locate the meter to align with the figure outlined on the rear of the cabinet and connect the inlet and outlet piping as shown in Figure 3 on Page 4.
6. The cabinet cover may be painted to match the building.

Single Meter Cabinet for Domestic Gas Meters

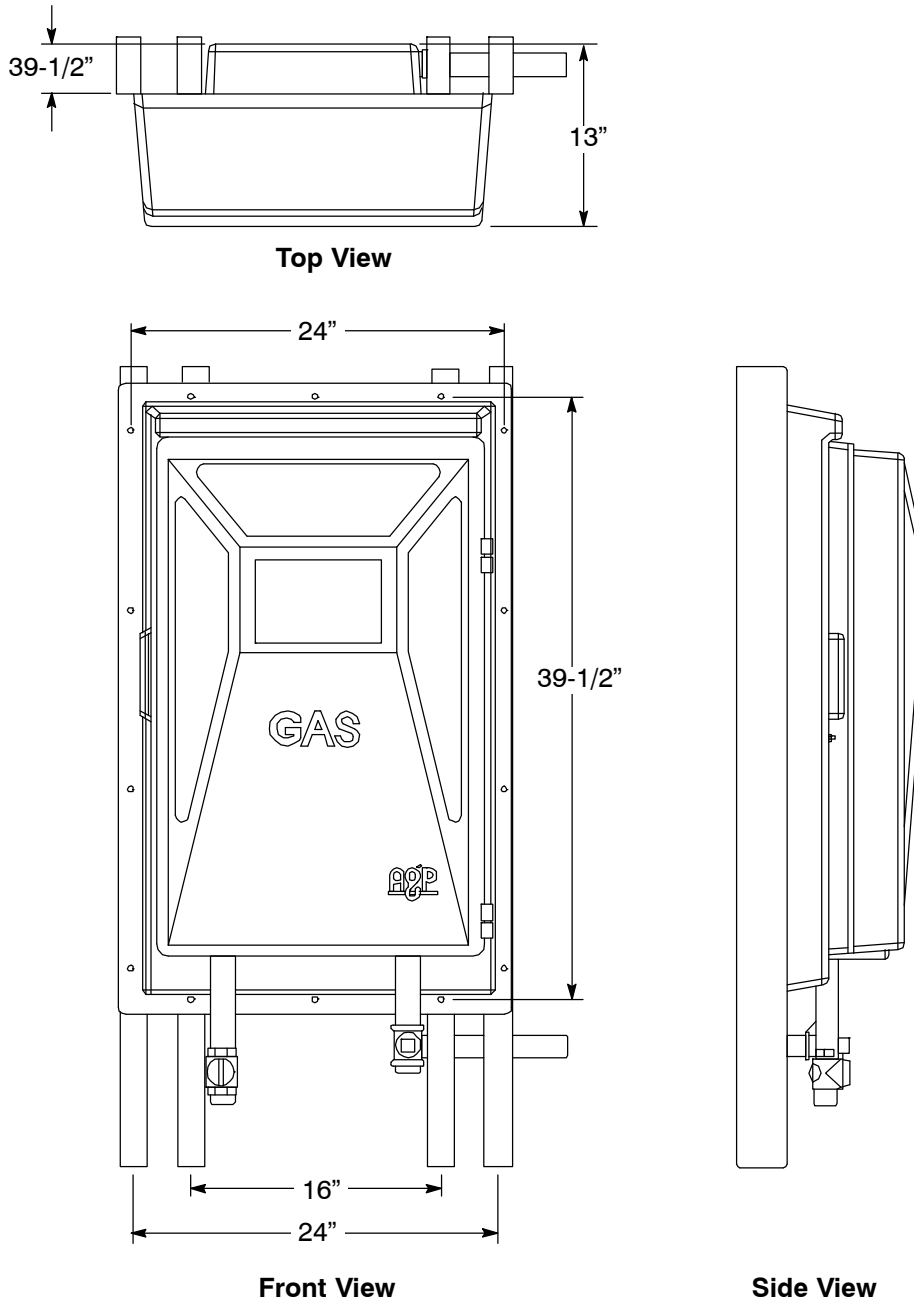


Figure 2
Prefabricated Plastic Meter Cabinet Dimensional Views

Single Meter Cabinet for Domestic Gas Meters

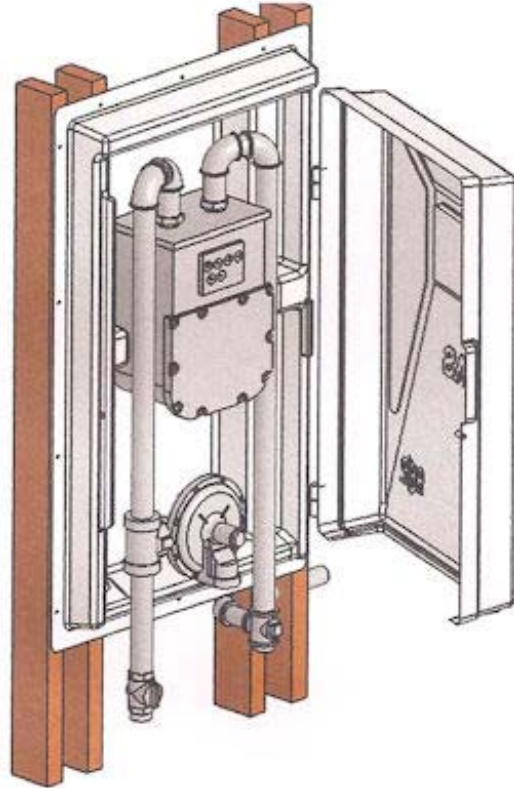


Figure 3
Prefabricated Plastic Meter Cabinet Piping Installation View

Revision Notes

Revision 01 has the following changes:

1. Added alternate prefabricated plastic cabinet.
2. Changed description to "Cabinet" to agree with Numbered Document J-15.
3. Added non-metallic cabinet door material requirement for SmartMeter RF signal transmission.
4. Added maximum cabinet depth of 36".
5. This document is part of Change 64.