



GAS DESIGN STANDARD MOBILE HOME/MANUFACTURED HOME METER SET INSTALLATION

J-12.4

Publication Date: 10/17/2018 Effective Date: 10/17/2018 Rev. 1

Purpose and Scope

This Gas Design Standard (GDS) provides application requirements and ordering information and describes the installation of gas meter sets for mobile homes or manufactured homes in a mobile home park.

General Information

1. Install gas meter sets supplying mobile homes and manufactured homes in accordance with this GDS.
2. A flexible connector meeting the requirements of American National Standards Institute (ANSI) Z21.75/CSA 6.27 and approved by the California Department of Housing and Community Development (HDC) for outdoor use must be provided and installed by the customer to connect the customer's mobile home or manufactured home piping to the gas meter set outlet. Approved connectors are identified with the ANSI/Canadian Standards Association (CSA) specification number on an attached label or tag, or permanently stamped on an end connection fitting.
3. Pacific Gas and Electric Company (PG&E or Company) piping in the meter set terminates with the 3/4" fitting on the meter outlet as shown in [Figure 1](#).
4. Install the meter using a meter stake shown in [Figure 1](#).

Specific Information

1. A meter stake:
 - A. Can only be installed in locations identified in [Figure 2](#).
 - B. Is 2" x 2" x 3/16" angle iron. 48" long hot dip galvanize with grey polyester powder overcoat on top 22" shown in [Figure 3](#).
 - C. Must be installed plumb and level in the ground up to the bury line identified on the stake between 28" and 32" deep.
 - D. Must be installed in well compacted soil or in concrete as shown in [Figure 1](#).
2. Meter set outlet piping must be attached using insulated U-bolt and insulating pad that is provided with the meter stake. Piping can be attached per Option A or B as shown in [Figure 4](#).
3. For a detailed list of components see [Table 1](#).

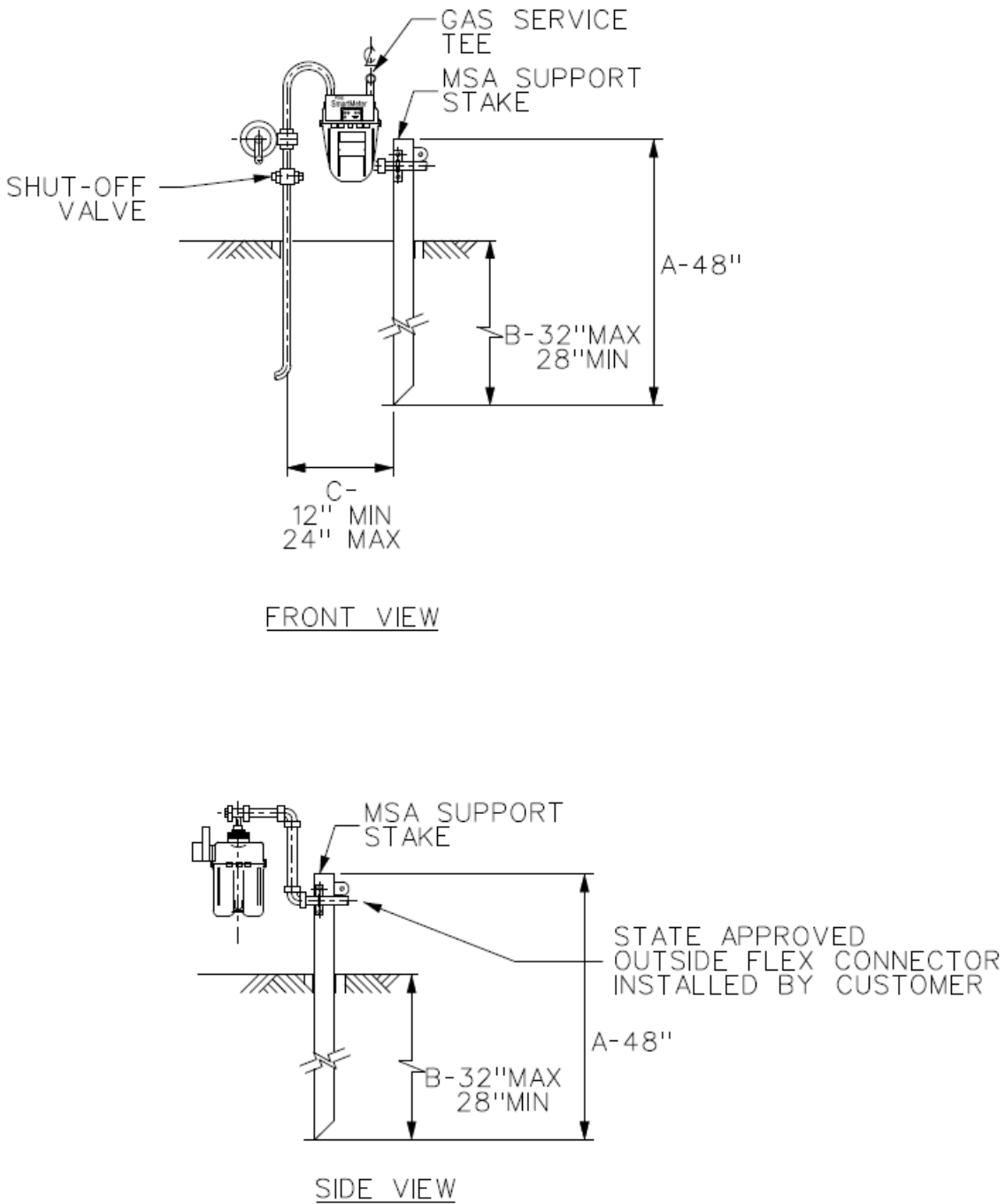


Figure 1. Mobile Home Diaphragm Meter Set – Profile View

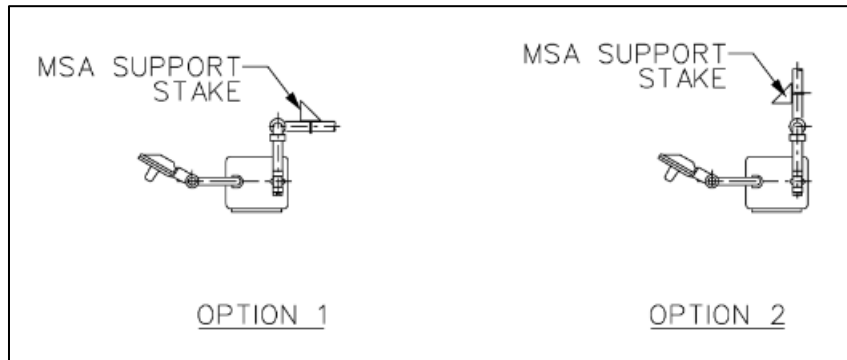


Figure 2. Mobile Home Diaphragm Meter Set – Plan View

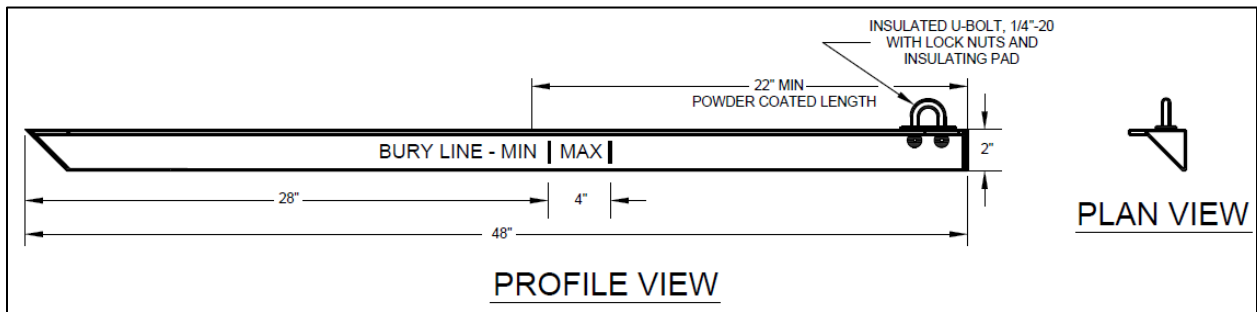


Figure 3. Meter Stake

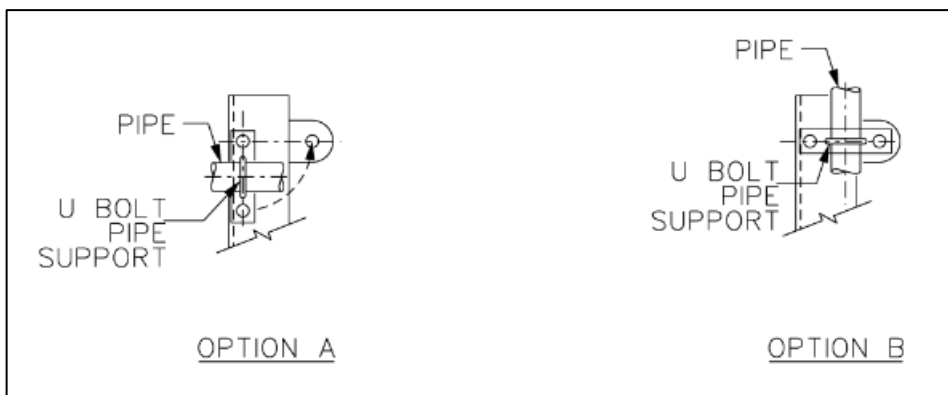


Figure 4. U-Bolt Detail

Table 1. Material List

Item	Description	Quantity	Code	GDS
1	Gas Meter Connection Kit	1	M040945	B-16
2 ¹	Single Meter Loop	1 ¹	M040140	B-16
2A ¹	Domestic Regulator	1 ¹	Various	Various
3	Gas Meter with SmartMeter Module ²	1	M231932	J-94
4	Elbow, standard NPT, 3/4"	Varies, build to suit	M020250	B-12
5	Swivel, male straight, #1A x 3/4"	1	M041426	J-50
6	Nut, swivel, #1A	1	M040099	J-50
7	Washer, swivel, #1A	2	M040160	J-50.2
8	Tee, standard NPT, 3/4"	1	M020902	B-14
9	Plug, standard NPT, 3/4"	1	M020774	B-10.1
10	Meter stake	1	M234167	J-12.4
11	Nipple, standard NPT, 3/4" x length to suit	Varies, build to suit		B-13

¹ Items 2 and 2A are only used when an insulated Jomar riser valve is not installed on the riser.

² Substitute meter with standard index code number 230053 for non-SmartMeter opt out customers.

Target Audience

All personnel who install meter sets (and their supervisors), including field services; gas maintenance and construction (M&C); general construction (GC); gas pipeline operations and maintenance (GPOM); gas estimators; distribution engineers; gas measurement and regulation engineering.

Definitions

NA

Acronyms and Abbreviations

MSA: Meter Set Assembly

Compliance Requirement / Regulatory Commitment

NA

References

Electric and Gas Service Requirements (Greenbook), Section 2, “Gas Service”

GDS B-10.1, “Standard Pipe Plugs”

GDS B-12, “Standard 90° Threaded Elbows”

GDS B-13, “Standard Threaded Pipe Nipple”

GDS B-14, “Standard Threaded Tee”

GDS B-16, “Gas Meter Connection Kits for Residential (#1A Connection Size) Diaphragm Meters”

GDS J-50, “Meter Swivels and Swivel Nuts”

GDS J-50.2, “Gas Meter Swivel Washers”

GDS J-94, “Gas Meter Selection Guide for New Meter Sets”

Appendices

NA

Attachments

NA

Revision Notes

Revision 1 has the following changes:

1. This change removes the concrete block used for meter support and now requires the use of a meter stake.
2. Material list has been updated based on meter stake design.

Asset Type: Measurement & Control, Distribution Services, Customer Connected Equipment.

Function: Design and Construction

Document Contact: [Gas Design Standard Responsibility List](#)